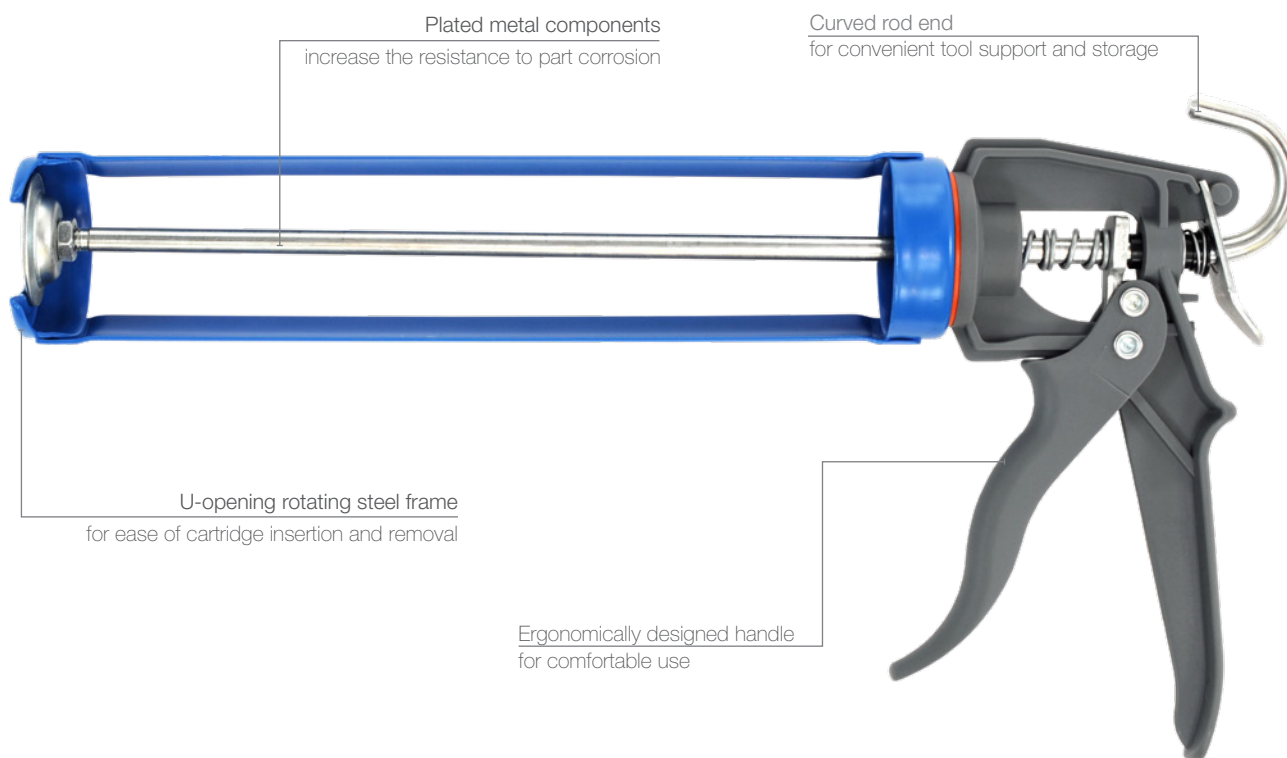




COX™ 1-Component Dispenser

MidiFlow™ Cartridge

A 1-component manual bead dispenser for 310/400mL cartridges.



Model shown: MidiFlow Cartridge 400mL

Product advantages

- Ergonomically designed handle for comfortable use
- U-opening rotating steel frame for ease of cartridge insertion and removal
- Curved rod end for convenient tool support and storage
- Plated metal components increase the resistance to part corrosion

Customer benefits

- Lightweight highly durable
- Surface hardened catch plate and rod design maintains high material output
- Wear compensation sleeve for increased durability
- Smooth trigger operation
- Rotating frame to help follow contours

Applications

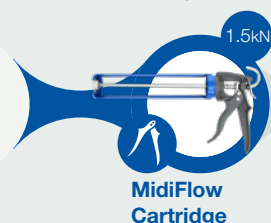


Sealing



Bonding

Product by range



MidiFlow Cartridge



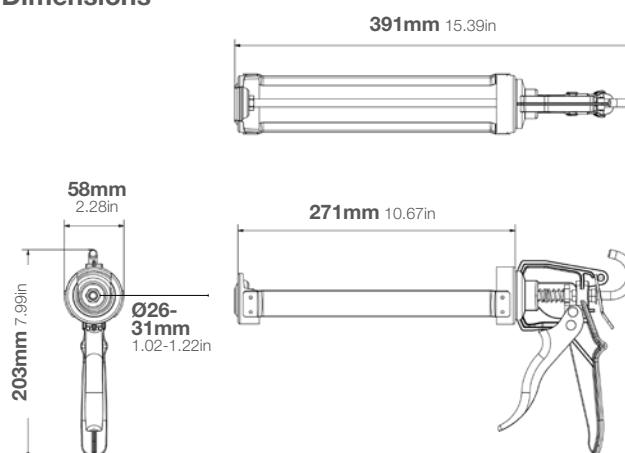
MidiFlow Combi

The **MidiFlow Cartridge** range offers a fully interchangeable dispenser allowing the user complete flexibility between sealant systems.

Specifications

- Weight 0.67kg / 1.5lbs
- Frame Length: 271mm / 10.67in
- Maximum Thrust: 1.5kN
- Handle Material: Glass Fiber Reinforced Nylon
- Frame Material: Epoxy Coated Steel
- Tool Component Approvals: REACH
- Cartridge Capacity: 310mL (10.5oz), 400mL (13.5oz)
- Mechanical Advantage Ratio: (10:1)
- Standard Color: Blue/Grey
- Nozzle Dimension: $\varnothing 26$ - $\varnothing 31$ mm / 1.02-1.22in
- Customized versions on demand

Dimensions



Part number:

Cart 310/400mL

Article number:

MF1401

Packaging:

10 per Box

Matching MIXPAC™ cartridges

Compatible cartridges



310mL Plastic Cartridge

	mm	inch
a	215.0	8.46
b	Ø 50.0	Ø 1.97



400mL Plastic Cartridge

	mm	inch
a	250.0	9.84
b	Ø 50.0	Ø 1.97

Conversion kits

-

Matching accessories

Nozzle extension / twisty nozzle on pages 90-95.